

### Application 適用車型

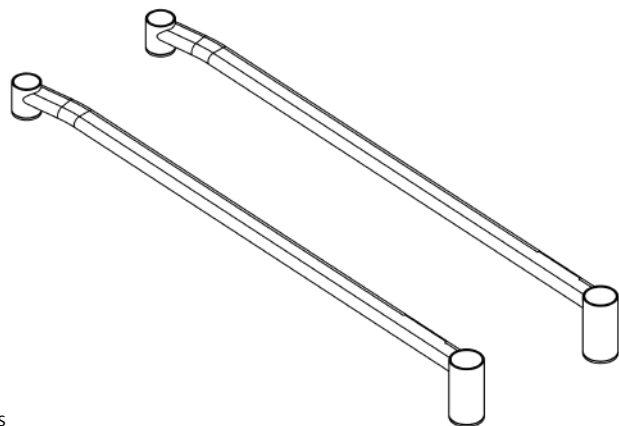
M.BENZ GLC CLASS X253/C253

### Components 內含配件

- ① Brace-LH 結構桿桿身-左.....1pcs
- ② Brace-RH 結構桿桿身-右.....1pcs

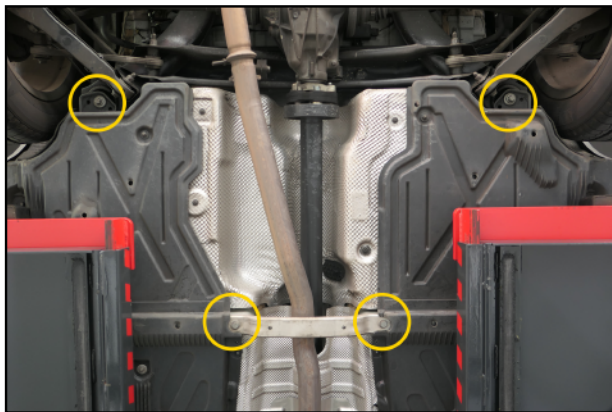
### Caution 注意事項

- Installation is recommended to be performed by licensed mechanics with necessary tools to ensure safety. Incorrect installation may cause injury, damage to the product or vehicle.  
安裝建議由合格的技師及工具執行以確保安全。安裝錯誤可能對人員、產品及車輛造成傷害。
- Note the routing of wires and cables before installation, or please refer to factory manual.  
安裝前請事先記下線路的安裝路徑及位置以維持原廠配置。有疑問時請參考原廠手冊。
- Tighten bolts and nuts firmly by using handtools, and with specified torque if mentioned.  
安裝過程請使用手動工具確實鎖緊螺帽及螺絲。如有特別註明請依照說明指示的扭力上鎖。



### Instructions 安裝說明

1. Raise and safely support the vehicle.  
將車輛升起。



2. Remove the bolts from rear subframe and central tunnel bar.  
將後副車架及中央通道補強桿的固定螺絲拆下。



3. Note the engraved L & R marks on the braces.  
Install the braces to the left & right side of vehicle.  
依照桿身上的左右標示，將結構桿桿身安裝至車輛。



4. Reinstall the bolts to secure the braces.  
完成後將螺絲鎖上，以固定桿身。

