

Installation Instructions

安裝說明書

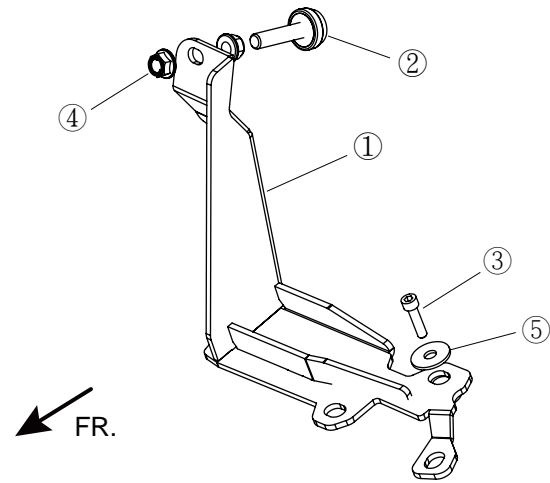
BRAKE MASTER CYLINDER STOPPER
剎車總泵助頂器
#Q0027/Q0028

Application 適用車型

Ford Focus MK3 '13-18
Ford Focus ST MK3 '13-18

Components 內含配件

① Stopper bracket 助頂器支架	1PCS
② Stopper 助頂器橡皮	1PCS
③ Bolt 螺絲 (M6x1.0x25)	1PCS
④ Nut 螺帽 (M10x1.25-14x9.5)	2PCS
⑤ Washer 華司 (26x8.4x2)	1PCS



Caution 注意事項

- Installation is recommended to be performed by licensed mechanics with necessary tools to ensure proper installation and safety, or damage to the product or vehicle may occur.
- Note the routing and position of wires and cables before installation. Please refer to factory manual.
- Tighten bolts and nuts firmly using handtools, or with specified torque if mentioned.
- 安裝需由合格的專業技師及工具執行以確保安裝正確及安全。否則可能對產品或車輛造成傷害。
- 安裝前請記下線路安裝路徑及位置。或請參考原廠手冊。
- 請使用手動工具確實鎖緊螺帽及螺絲。或依照說明中標註的扭力上鎖。

Instructions 安裝說明

1. Disconnect the battery cables. Then remove the air-filter box, battery and the tray to access the brake master cylinder.
斷開電瓶後將空濾盒及電瓶和電瓶座一併拆下取出。即可找到剎車總泵。
2. Install ② Brake master cylinder stopper with supplied ④ Nuts on to ① Stopper bracket. (See components figure)
使用 ④ 螺帽將 ② 助頂器橡皮裝上 ① 助頂器支架。(請參照配件圖)
3. Position ① Stopper bracket on to the vehicle. Tighten the two forward-most studs using original nuts, then install the rear part with supplied ③ Bolts and ⑤ washers. (See figure 2)
將 ① 助頂器支架裝上車輛。並沿用原螺帽鎖上靠前方的兩個螺柱。接著使用配件 ③ 螺絲以及 ⑤ 華司鎖入靠後方的孔中。(請參照圖二)
4. Attach ② Stopper to the brake master cylinder by adjusting the nuts. Reinstall the battery and air-filter box to the vehicle.
調整螺帽使 ② 助頂器橡皮支撐於剎車總泵。最後將電瓶以及空濾盒裝回。

