

# Installation Guide

## 安裝說明書

VEHICLE APPLICATIONS  
適用車型

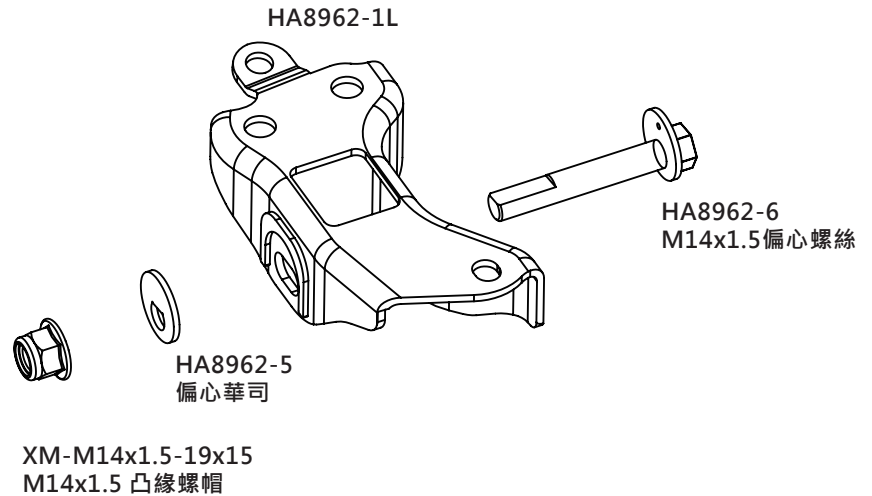
LEXUS NX AZ10 2014-  
TOYOTA RAV4 XA40 2013-

PART NO. 8962

### Contents 內含配件

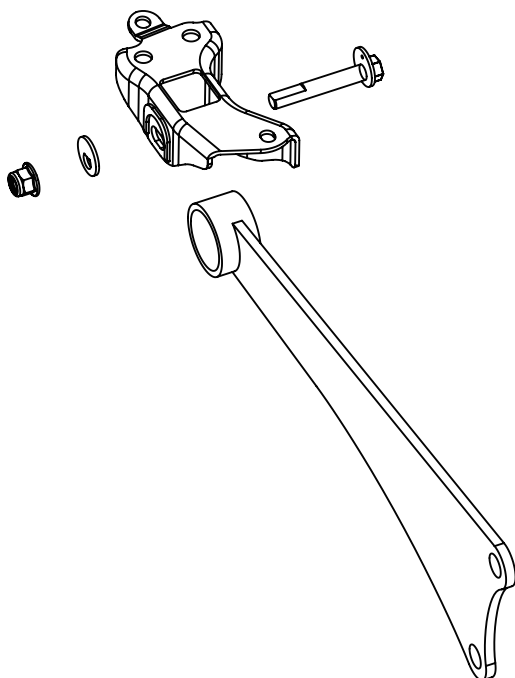
※ Please apply hand tools for installation  
安裝過程請使用手動工具

1. caster調整組固定座 (R/L) 2PCS
2. 偏心螺絲 M14X1.5 2PCS
3. 偏心華司 2PCS
4. 凸緣螺帽 M14X1.5 2PCS



### Installation tips 安裝提示

拆卸後牛腿固定座更換可調組，須注意安裝時偏心螺絲位置左右皆相同



此調整組功能是對應降低車身車輛所設計，減少後輪拱與輪胎摩擦機率，以及setback調整功能  
Caster可調整setback

### Warning 安全提示

Installation should only be performed by licensed mechanics who have the necessary skill and tools to do the job correctly and safely.

安裝需由合格之專業技師及工具執行，以確保安裝過程之正確與安全

When swapping the suspension kits, be sure to note the routing and mounting position of all wires, cables and bolts orientation, certain damage might be caused by reinstalling differently from the original factory position. Please refer to factory manual for proper installation and safety stands.

當更換您車輛的懸吊套件時，請記下您的線組與管線安裝位置，非原廠相同的安裝位置可能會造成元件之損壞，造成車輛的危險。請參考原廠車輛手冊



TEL: +886 3 5370822 FAX: +886 3 5373027  
E-MAIL: info@hardrace.com WEBSITE: WWW.HARDRACE.COM

