

# Installation Guide

## VEHICLE APPLICATIONS

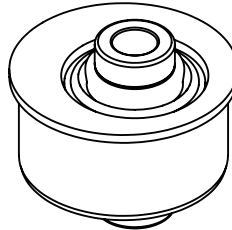
ACURA INTEGRA 4th DC5  
ACURA RSX DC5  
HONDA CIVIC 7th EM2, ES1, EP1/2/3/4, EU  
HONDA STREAM 1st RN1-5

PART NO. 7630

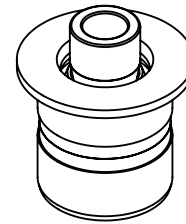
## Contents

※ This product should only be installed by professional mechanics to ensure the products are correctly and safely installed. Any incorrect installation can result in personal injury, vehicle damage and / or loss of vehicle control.

1. Front Bigger Bush (A) 2PCS
2. Rear Smaller Bush (B) 2PCS



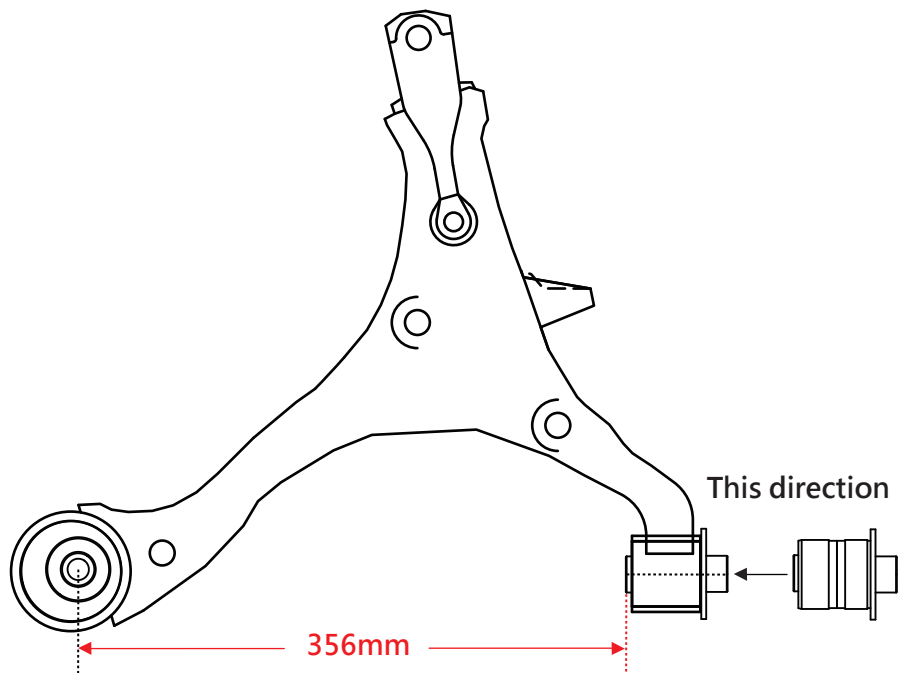
(A)



(B)

## Installation tips

1. Both bushings are direct OE replacement and have OFFSET function which can increase the CASTER angel.
2. Firstly, install the Small Bushing (B), you must install from outside of the arm, (See Left Figure) where the bushing have a longer Central tube is outside (Important). Finally, Press the bushing into the arm, until the bushing outer shell touch the control arm.



3. Secondly, install the big Bushing (A). Before installing (A), be sure to measure the inner tube center-to-center distance between (A) and (B) must be 356mm or you may not able to install the lower arm to the car. Rotate the bushing (A) until the center-to-center distance between bushing (B) achieves 356mm, after confirming the accurate position/angle, you may press the bushing into the arm. Both arms must have the same bushing angel.
4. After complete the installation, you must recheck the alignment, and road testing the car.