

Installation Guide

安裝說明書

VEHICLE APPLICATIONS
適用車型

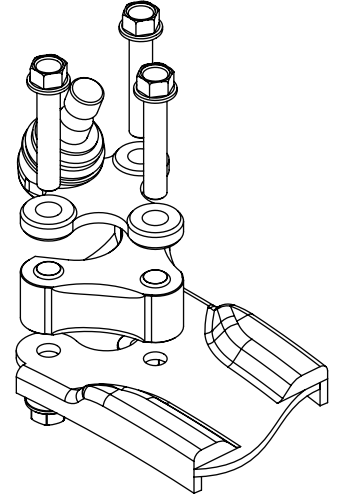
BMW 1 Series F2x
BMW 3 Series F3x

PART NO. 8608

Contents 內含配件

※ Please apply hand tools for installation
安裝過程請使用手動工具

1. RC Adjuster 30mm 墊片 30mm 2PCS
2. M12 Bolt 65mm 螺絲 6PCS
3. M12 Nut 螺帽 6PCS



Installation tips 安裝提示

※ Please read the HARDRACE Tech Tips before installing the products.
在安裝之前請詳閱 HARDRACE 技術提示



1. Remove three bolts from ball joint.
安裝前須把三角架和尚頭3支固定螺絲取下



2. Convex design around bolt holes makes installation more accurate.
墊片表面螺絲孔位置，微突出設計使安裝位置更精準



RC Adjuster is good for lowered vehicle; it is able to correct the angle of front lower arm to factory setting and prolong the life time of arms and ball joints.
三角架墊片功用是改善三角架水平位置，讓更改避震器降低車高設定的車輛，可提升懸吊轉向幾何位置關係，讓和尚頭及三角架鐵套壽命更長、更耐用



3. Figure of completion. Recommended torque : 90~100Nm
安裝完成 建議鎖緊扭力 90~100 Nm

HARDRACE Tech Tips 技術提示

Warning! Risk of Death may be caused by vehicle slipping or toppling off the jacking platform.

警告! 在頂車機的作業下，車輛的滑動或倒塌可能會造成人員致命的危險

Motor vehicle mechanical knowledge is expected. In some country & states, fitment may only be legally performed by a licensed mechanic. Check the regulation in your area.

請預先了解車輛機械知識與檢查在您所屬的國家或區域地方是否需要專業技師執照才可執行更換安裝，以免觸法

When swapping the suspension kits, be sure to note the routing and mounting position of all wires, cables and bolts orientation, certain damage might be caused by reinstalling differently from the original factory position. Please refer to factory manual for proper installation and safety stands.

當更換您車輛的懸吊套件時，請記下您的線組與管線安裝位置，非原廠相同的安裝位置可能會造成元件之損壞，造成車輛的危險。請參考原廠車輛手冊



TEL: +886 3 5370822 FAX: +886 3 5373027
E-MAIL: info@hardrace.com WEBSITE: WWW.HARDRACE.COM

