

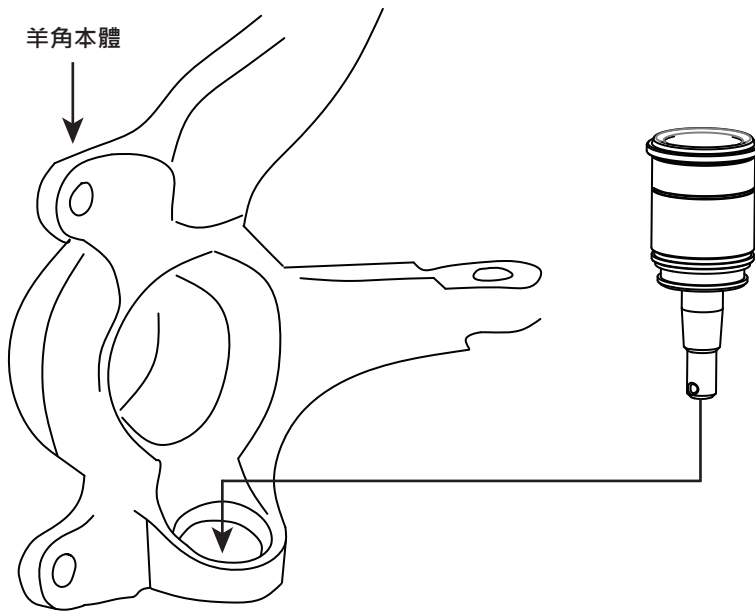
Installation Guide

安裝說明書

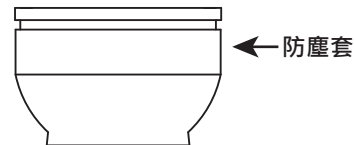
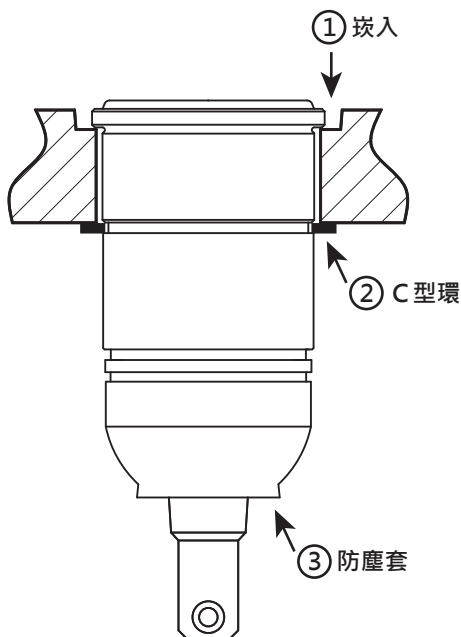
PART NO. 6386-A

Installation tips 安裝提示

※ Please read the HARDRACE Tech Tips before installing the products.
在安裝之前請詳閱 HARDRACE 技術提示



※ 使用液壓工具將和尚頭壓入羊角，安裝前先將防塵套取下，避免防塵套夾傷及破損



※ 安裝時須注意

- ① 揷入部分需緊密結合羊角本體
- ② 將C型環裝入和尚頭凹槽位置
- ③ 裝回防塵套

Warning 安全提示

Installation should only be performed by licensed mechanics who have the necessary skill and tools to do the job correctly and safely.

安裝需由合格之專業技師及工具執行，以確保安裝過程之正確與安全

When swapping the suspension kits, be sure to note the routing and mounting position of all wires, cables and bolts orientation, certain damage might be caused by reinstalling differently from the original factory position. Please refer to factory manual for proper installation and safety stands.

當更換您車輛之懸吊套件時，請記下您的線組與管線安裝位置，非原廠相同的安裝位置可能會造成元件之損壞，造成車輛的危險，請參考原廠車輛手冊



TEL: +886 3 5370822 FAX: +886 3 5373027
E-MAIL: info@hardrace.com WEBSITE: WWW.HARDRACE.COM

